



99170



99180



99170-1

ULTRA-SEAL CORROSION-PREVENTIVE SEALANT

Cost-effective product prevents rust and corrosion • Good mechanical stability • Added tackifiers improve adhesion and resistance to washout

- Has a 25% higher non-conductivity rating compared to the competition
- Operating range -40°F to 302°F

99170 4 oz. (118 ml.) Tube

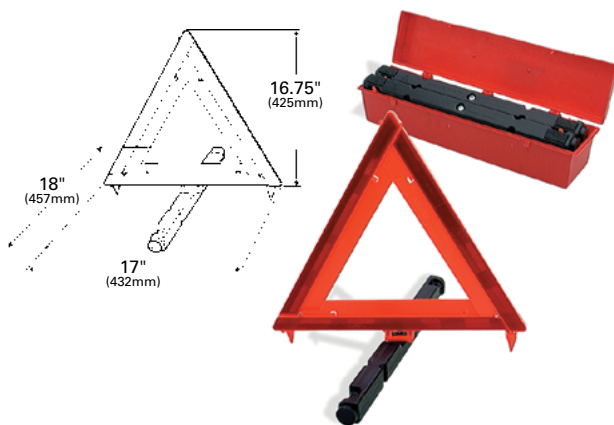
99180 8 oz. (236 ml.) Tub

99170-GT 14 oz. (414 ml.) Tub

RETAIL DISPLAY:

99170-1 Display (12 of 99170)

VMRS Code: 053-999-096



TRIANGLE WARNING KIT

Reflective up to 1/2 mile • Exceeds legal requirements • Weatherproof and impact-resistant • Weighted for stability • Kit of three triangle devices in carrying case

KITS:

71422 Three Triangles

Material: Acrylic/ABS/Polypropylene

Regulations / Standards: FMVSS 125 / SAE J774C™-Type I

VMRS Code: 053-004-005

SLOW-MOVING VEHICLE EMBLEM

13 3/4" yellow-orange center for daytime warning • Outer 1 5/8" red reflex border for nighttime warning • 6" mounting screw hole spacing

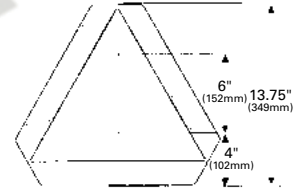
71152 Orange & Red

Material: Acrylic/ABS

Standards: SAE J943A™, ASAE S276.3

Bracket: 43325, 43335

VMRS Code: 053-004-005



TRAFFIC CONE

High visibility for traffic control • Fade-resistant, bright orange finish is molded of PVC to eliminate cracking and peeling

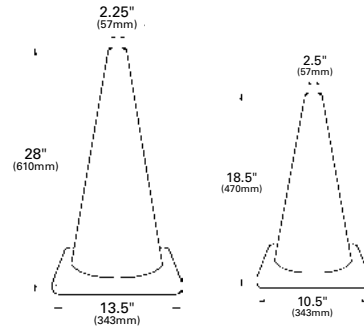
71440 Small Cone

71450 Large Cone

Material: PVC

Finish: Bright Orange

VMRS Code: 053-004-005



Ray-Ban® is a registered trademark of Luxottica Group S.P.A.
All product and company names are trademarks™ or registered® trademarks of their

respective holders. Use of them does not imply any affiliation with or endorsement by them.